



MATERIAL HANDLING
CRANE STRUCTURE
HOIST EQUIPMENT

COMPANY PROFILE

About

PT. Loka Ganda Artha

Established in 2005, we are specialized in material handling system, crane structure and hoist equipment.

We offer a dedicated customer service to ensure your productivity, with focus on hoist services, spare parts, crane construction, warehouse & factory construction, and other steel projects since our beginning.

We have been working alongside many foreign & governmental clients as we have high compliances for safety and lifting procedures, which are substantial in foreign & governmental investment projects.

Why Choose Us?

- We provide a wide range of equipments, suitable for our clients needs.
- Through planning and preparation prior to project execution, we aim to achieve efficiency and effectiveness in every task.
- Established set of rules and procedures, while providing the necessary tools to create a safe working environment.
- We are a team of highly dedicated, disciplined individuals to ensure client satisfaction.
- Carry out maintenances & repairs in a regular basis to ensure the equipment is always in its optimal condition.
- Maintain constant communication with our customers to provide all necessary support in different projects.



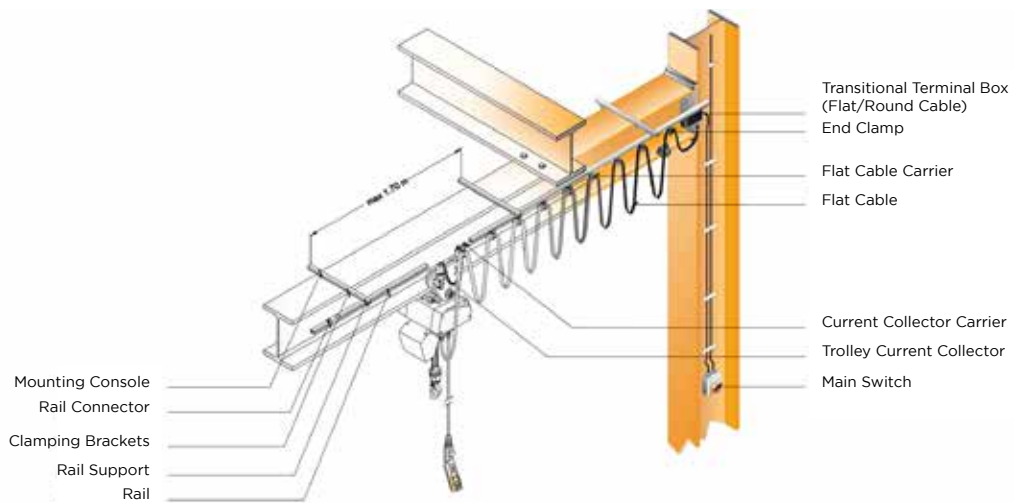
MATERIAL HANDLING
CRANE STRUCTURE
HOIST EQUIPMENT

Our Product

Service Range

Faster delivery time to shorten the return of investment and to efficiently utilize your investment are our main objective.

We combine technologies to give our customers effective solutions at reasonable price and exceptional quality level, thus lowering operation and maintenance cost.



1. Single Girder Electric Overhead Travelling Cranes
2. Double Girder Electric Overhead Travelling Cranes
3. Gantry and Semi-Gantry Cranes



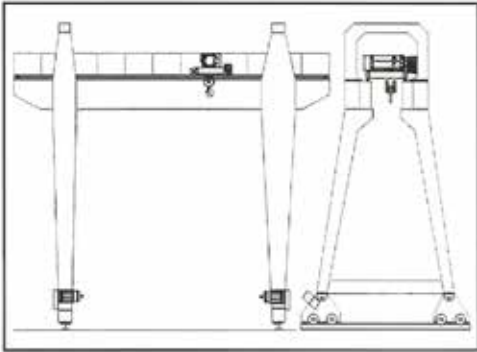
4. Wire Rope Chain Hoist
5. Cargo / Goods Lift
6. Remote Control System for Cranes (Radio & Infrared)
7. Jib Cranes (Pillar / Wall Mounted)



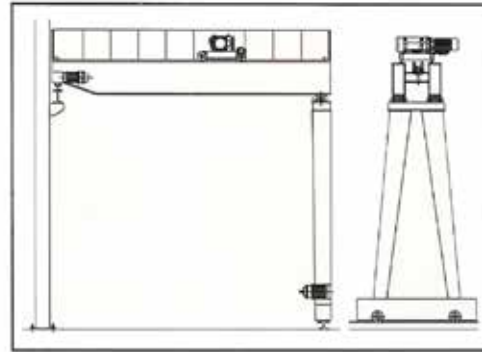
8. Dock Leveller
9. Chain Blocks, Hand Pallet and Lever Hoist
10. Upgrade and Modernize all kind and brands of Industrial Cranes
11. Explosion Proof Cranes
12. Special Material Handling Equipment
13. Underhung / Underslung Cranes
14. Transfer Cars
15. Attachment System (Crossby, Spanset, Superlift, etc). such as Shackles, Wire Rope, Chain or Lifting Belt



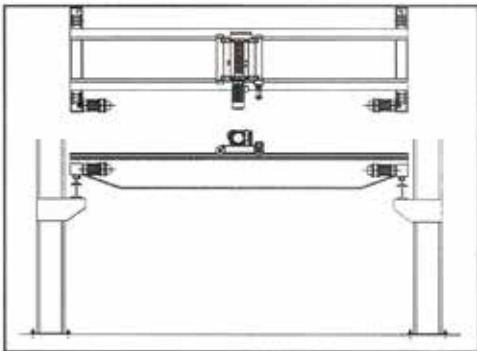
MATERIAL HANDLING
CRANE STRUCTURE
HOIST EQUIPMENT



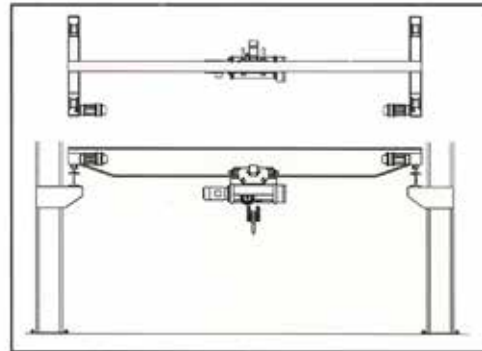
Gantry Crane



Semi-Gantry Crane



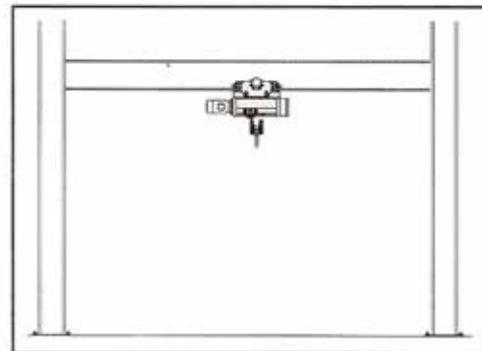
Double-Girder E.O.T. Crane



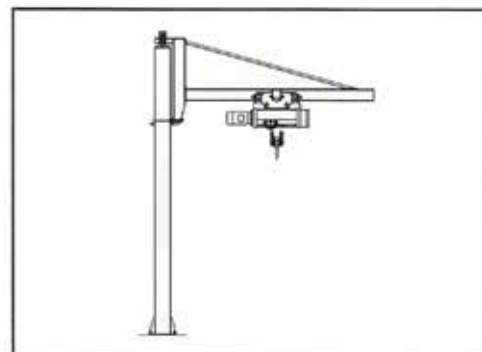
Single-Girder E.O.T. Crane



Cargo Lift



Mono-rail Hoist



Jib Crane

Our Projects

PT. Loka Ganda Artha

WIKI KOBE
Medan
--
Gantry Cranes



GS Battery
Semarang
--
Overhead
Travelling
Crane
Cap. 3T,
Span 13M



PT. BlueScoop
Indonesia
--
Transfer Car

PT. Pamindo 3T
--
Cargo Lift

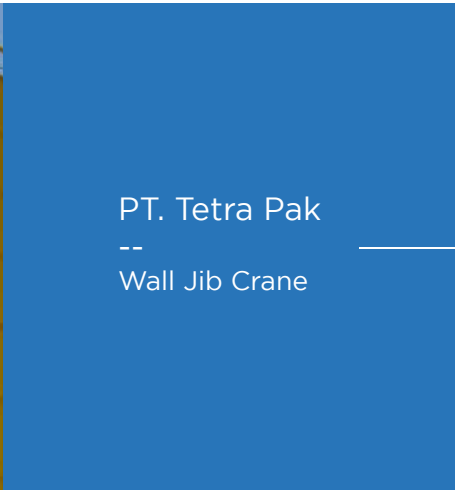


MATERIAL HANDLING
CRANE STRUCTURE
HOIST EQUIPMENT



WIKI BETON
--
Concrete Silo

PT. MBT MM2100
--
Mono-rail



PT. Tetra Pak
--
Wall Jib Crane



WIKI BETON
Medan
--
Rotary
Spreader Beam

Business Coverage

PT. Loka Ganda Artha



CV. Perkasa Mandiri
 CV. Rejeki Mapan Lestari
 CV. Vitara Plastik Indonesia
 PT. Adiguna SE
 PT. Adyawinsa Dinamika Karawang
 PT. Aneka Star
 PT. Alas Waja Kencana
 PT. Alstom
 PT. Alsun Suksesindo
 PT. Argamas Bajatama
 PT. Bangunperkasa Adhitamasentra
 PT. Beton Perkasa Wijaksana
 PT. Boral Pipe and Precast Indonesia
 PT. Bisma Narendra
 PT. Cahaya Merah Delima
 PT. Cahaya Murni Pakanindo (Pekanbaru)
 PT. China Glaze Indonesia
 PT. Darma Polimetal
 PT. Dong II Indonesia
 PT. Dunia Teknik
 PT. Dyson Zedmark Indonesia
 PT. Dharma Precision Mould
 PT. Expertest Kaliper Nusantara
 PT. Fatrapolindo Nusa Industri Tbk
 PT. Garuda Metalindo
 PT. Griyaton Indonesia
 PT. Gunung Putri Perkasa
 PT. Hagihara Westjava Indonesia

PT. Hanco Dewantara
 PT. Harbot Indonesia
 PT. Hon Chuan Indonesia
 PT. Hutrindo Jaya Fibreboard (Palembang)
 PT. Induro International
 PT. Indocarlu Perkasa
 PT. Irawan Prima Utama
 PT. Infracindo Teknik Utama
 PT. Jaya Mandiri Utama
 PT. JFE Shoji Steel Indonesia
 PT. Kalden
 PT. Karya Laserindo
 PT. Karya Yasantara Cakti
 PT. Katsushiro Indonesia
 PT. Kayama Sukses Abadi
 PT. Komatsu Undercarriage Indonesia
 PT. Lionmesh Prima, Tbk
 PT. Maju Usaha Bersama (MUB Jaya)
 PT. Melu Bangun Wiweka
 PT. Menara Terus Makmur
 PT. Mitra Toyotaka Indonesia
 PT. Mulia Teknik
 PT. Multi Pratama Interbuana
 PT. Murinda Iron Steel
 PT. Nagaria Semesta
 PT. Nafiri Pola Lestari
 PT. Nusahadi Citraharmonis
 PT. Pabrik Mesin Teha

PT. Pamindo 3T
 PT. Paul Buana Indonesia
 PT. Perkasa Mandiri
 PT. Porter Rekayasa Unggul
 PT. Prima Cableindo
 PT. Prima Rejeki Pertiwi
 PT. Prima Setiamakmur Mandiri
 PT. Roda Adiguna
 PT. Sanggar Sarana Baja
 PT. Sarana Central Bajatama
 PT. Sanitya Utama
 PT. Selamat Sempurna
 PT. Sentral Metal Industri
 PT. Sinar Surya Baja Profilindo
 PT. Sinar Surya Graha Persada
 PT. Shinto Kogyo Indonesia
 PT. Sumalindo Lestari Jaya
 PT. Surya Toto Indonesia
 PT. Surya Besindo Sakti
 PT. SSE - Vander Horst Indonesia
 PT. Technical Bym
 PT. Tsuang Hine
 PT. Tyco Europipe Indonesia
 PT. United Steel Center
 PT. VUTEQ Indonesia
 PT. Waagner Biro Indonesia
 PT. Quantex
 PD. Swarkarsa



MATERIAL HANDLING
 CRANE STRUCTURE
 HOIST EQUIPMENT



PT. LOKA GANDA ARTHA

MATERIAL HANDLING | CRANE STRUCTURE | HOIST EQUIPMENT

Distributor of:

TXK[®]

LIFTKING

HEAD OFFICE

Jl. Baru Kayu Gede No. 888, Graha Raya, Bintaro Jaya
Tangerang Selatan 15324 - Indonesia

Telp.: +62 21 5312 3749
Mobile: +62 811 188 33 10 / 14 / 17
Fax.: +62 21 5312 3433

email: marketing@lga.co.id
www.lga.co.id